



BRI819-B-D

[Product Parameter](#)[Product Picture](#)[PDF Download](#)

INTRODUCTION

The BRI819-B-D mounts in an indoor lighting fixture and provides multi-level control based on motion . It controls 0-10 VDC LED drivers or dimming ballasts.All control parameters are adjustable via a wireless configuration tool capable of storing and transmitting sensor profiles.

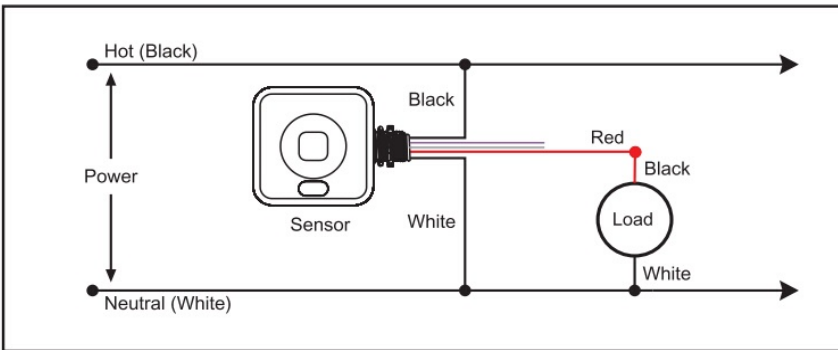
The product is a moving object sensor for high bay installation. It's detection height is 50ft, radius is max30ft, and working frequency is 5.8GHz. The advantage of this product is stable working state (stable working temperature: -40°~+70°C).

SPECIFICATIONS

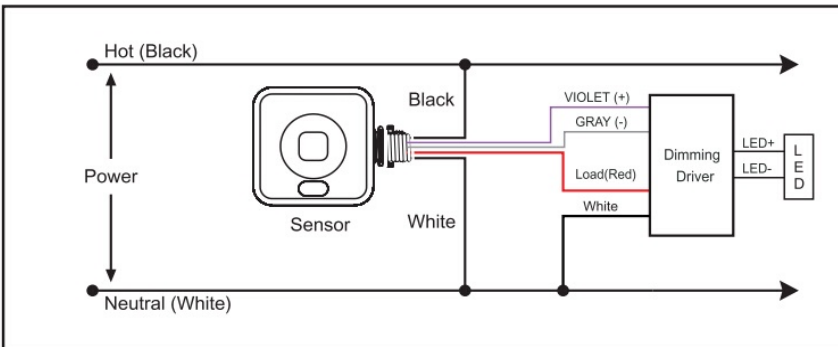
| | |
|---|---|
| Power supply | 120-277VAC 50/60Hz |
| Maximum load @ -40°F ~ +158°F (-40°C ~ +70°C) | Resistive/Halogen - 800W/1200W@120/277V Fluorescent Ballast - 660W/1200W@120/277V Electronic Ballast (LED/CFL) - 5A/5A@120/277V |
| HF System | 5.8GHz CW |
| Dim control output | 0-10V, max. 25mA sinking current |
| Detection radius/angle | 30ft / 360° |
| Mounting height | Max 50ft |
| Time setting | 10sec. -60min.(adjustable) |
| Light-control | 10-2000Lux (adjustable) |
| Humidity | Max. 95% RH |
| Temperature | -40°F ~ +158°F (-40°C ~ +70°C) |

WIRING DIAGRAMS

Non-Dimming Driver



Dimming Driver



FUNCTION AND OPTIONS

The microwave sensor to achieve tri-level dimming control, for same areas that require a light change notice before switch off.

It offers 3 levels of the light Control : 100%--dimming light (0,10%,30%,50%)--off;and 2 periods of selectable waiting time: motion hold-time and stand-by time. Selectable daylight threshold and choice of detection area.



With sufficient natural light, the light does not switch on when presence detected.



With insufficient natural light, the sensor switches on the light automatically when person enters room.



People left, light still dims to 0/10%/30%/50% (options) standby level after the hold time.



Light switches off automatically after after stand-by time elapsed.

Product Categories

Occupancy&Vacancy sensors
 Fixture Sensors
 Daylight Controls
 Wireless Occupancy sensors
 EU Motion Sensors

Technical Support

News Center
 Technical Consulting

About Sharkward

About Us
 Contact Us