

Features & Benefits

Advanced Thermal Management Aluminum Alloy with White Powder Coat Finish

Available in 1x2, 2x2 & 2x4 configurations

PIR Sensor Emergency Battery Optional

Lumen Packages up to 40,000 lm; Efficacy up to 141 lm/W

Chain, Sling or Pendant Mount Available and Included

UL Listed for Damp Locations; FCC Complaint

Estimated 100,000-hour LED lifespan based on IES LM-80 and TM-21 Calculations

10-year limited warranty



Housing

Advanced thermal management aluminum alloy with white coat finish. Suitable for pendent mount and Sling mount.

Emergency Battery

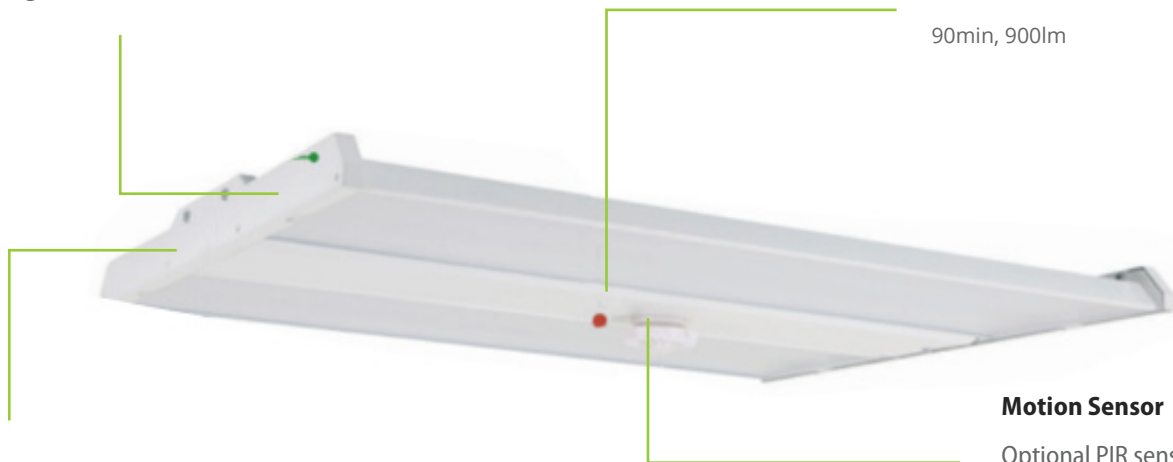
90min, 900lm

Motion Sensor

Optional PIR sensor allows for security and energy saving.

Threaded Conduit

Support wires coming from the hole for easier wire connections



Technical Parameters

Power	Light Output	Power Input	Operating Temperature	Efficacy
90W - 300W	12,000 lm - 40,000 lm	120-277V, 347-480V	-40°F - 131°F	Up to 141 lm/W

Color Temperature	CRI	Certifications	Motion Sensor	Driver
4000K, 5000K	80 CRI	UL, DLC Premium	Bi-Level PIR Sensor	0-10V Dimming

Emergency Battery	Lens Output	Mounting	Finish	
8W, 900 lm, 90 min	Diffused Lens	Chain, Sling, Pendant	White	

Performance Data

5000K			
LED Watts	Size	Lumens	LPW
90W	1x2FT	12,600 lm	140 lm/W
130W	2x2FT	18,000 lm	138 lm/W
180W	2x2FT	24,500 lm	136 lm/W
205W	2x2FT	29,000 lm	141 lm/W
270W	2x4FT	36,000 lm	133 lm/W
300W	2x4FT	40,000 lm	133 lm/W

4000K			
LED Watts	Size	Lumens	LPW
90W	1x2FT	12,000 lm	133 lm/W
130W	2x2FT	17,800 lm	137 lm/W
180W	2x2FT	24,000 lm	133 lm/W
205W	2x2FT	28,700 lm	140 lm/W
270W	2x4FT	35,600 lm	132 lm/W
300W	2x4FT	40,000 lm	133 lm/W

Ordering Information

Example: HBLX-22-130W-50K

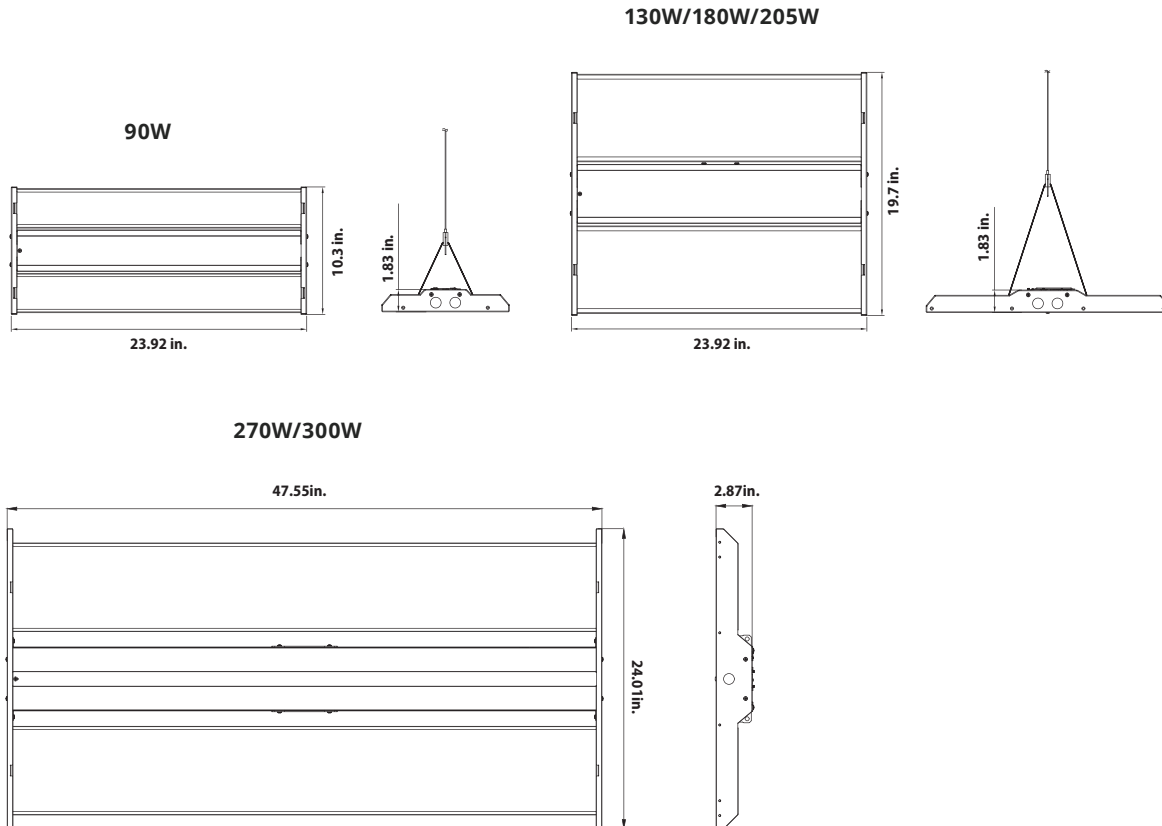
(Optional)

Model	Configuration	Wattage	Voltage	CCT	Lens	Controls
HBLX High Bay HBLX Series	12 1x2 14 1x4 22 2x2	90W 130W 180W 205W 270W 300W	Blank 120-277V HV 347/480V	40K 4000K 50K 5000K	Blank Difussed Lens	M Motion Sensor EM Emergency Battery MEM Motion Sensor + Emergency Battery

Note:

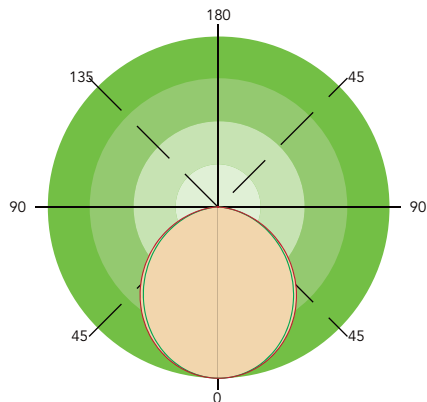
1. 1x2 = 90W;
2. 2x2 = 130W, 180W, 205W;
3. 2x4 = 270W/300W;
4. 347/480V = 90W, 130W, 190W, 210W, 270W, 300W
5. G5 Control System Sold Separately

Product Dimensions



Photometrics

General



DLC Listed Models

System Watt	Voltage	CCT	DLC NO	DLC Classification
90W	120-277V	4000K	HBLX-12-90W-40K-[M,EM,MEM]	Premium
90W	120-277V	5000K	HBLX-12-90W-50K-[M,EM,MEM]	Premium
130W	120-277V	5000K	HBLX-22-130W-50K-[M,EM,MEM]	Premium
180W	120-277V	4000K	HBLX-22-180W-40K-[Blank][M,EM,MEM]	Premium
180W	120-277V	5000K	HBLX-22-180W-50K-[Blank][M,EM,MEM]	Premium
190W	347/480V	4000K	HBLX-22-190W-HV-40K-[Blank][M,EM,MEM]	Premium
300W	120-277V	5000K	HBLX-24-300W-50K-[Blank]-[M,EM,MEM]	Premium

Note: Only Above Models are Currently DLC Listed