

Features & Benefits

Sealed Die-Casting Aluminum Housing with Stainless Steel Fasteners

Pendant Mounting or Direct Surface Mounting

Parking Garage Lens for Contoured Light Distribution

PIR Sensor and Emergency Battery Available

UL Listed for Wet Locations

5-Year Limited Warranty



30W/45W/50W/60W/65W



30W/45W/50W/60W/65W



90W



1/2inch threaded hole

Support wires coming from the hole for easier wire connections.

Mounting Bracket

Suitable for J-BOX mounting, and easy for installation, also support pendant mounting, wires coming out from the back for easier wire connections



Photometrics

Optional Parking Garage Photometry or Low Bay Photometry as per applications.

PIR Sensor

Optional PIR Sensor allows for security and energy saving.

Housing

One piece die cast housing better waterproof, suitable for both indoor and outdoor application

Technical Parameters

Power	Light Output	Power Input	Operating Temperature	Efficacy
30W - 60W	3,600 lm - 11,600 lm	120-277V, 347/480V	-40°F- 104°F	Up to 120 lm/W
CRI	Certifications	Motion Sensor	Driver	Color Temperature
70 CRI	UL, DLC Premium	Bi-Level PIR Sensor	1-10V Dimming	4000K, 5000K
Finish				
W, DB, B				

Performance Data

5000K		
LED Watts	Lumens	LPW
30W	3,600 lm	120 lm/W
45W	5,000 lm	111 lm/W
60W	7,100 lm	118 lm/W
90W	11,600 lm	129 lm/W

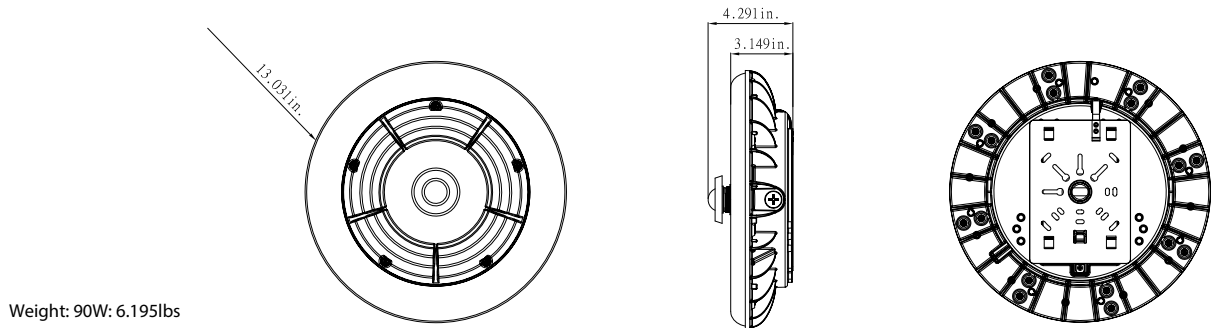
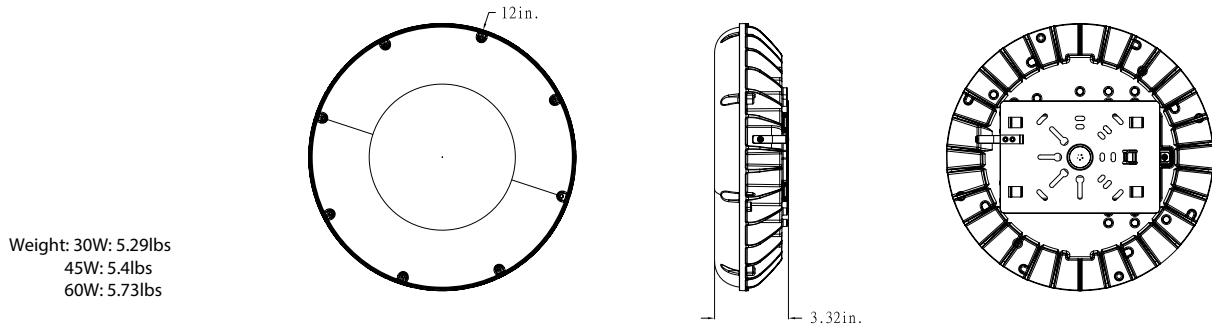
4000K		
LED Watts	Lumens	LPW
30W	3,500 lm	117 lm/W
45W	4,900 lm	109 lm/W
60W	7,000 lm	117 lm/W
90W	11,400 lm	127 lm/W

Ordering Information *Example: CPG-45W-50K*

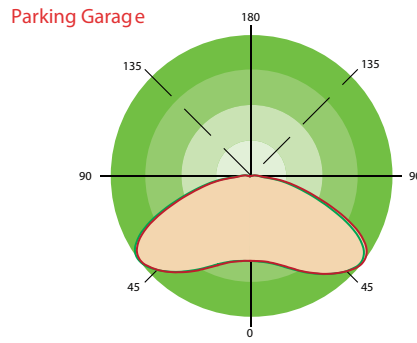
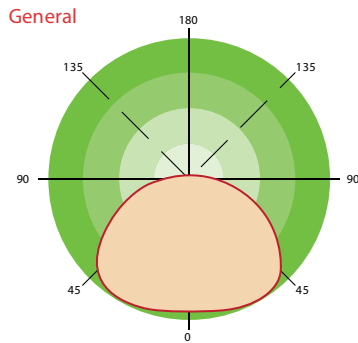
(Optional)

Model	Wattage	Voltage	CCT	Finish	Controls
CPG Canopy CPG Series	30W 45W 60W 90W	Blank 120-277V	40K 4000K 50K 5000K	Blank White B Black D Dark Bronze	M Motion Sensor EM Emergency Battery

Product Dimensions



Photometrics



DLC Listed Models

System Watt	Voltage	CCT	DLC NO	DLC Classification
60W	120-277V	4000K	CPG-60W-40K-[BlanK,M]	Premium
60W	120-277V	5000K	CPG-60W-50K-D-[BlanK,M]	Premium

Note: Only Above Models are Currently DLC Listed