

Features & Benefits

Rugged Aluminum Housing with UV Resistant Powder Coated Finish

Wide Flood Beam Spread 7Hx7V

Knuckle, Mount or Trunnion Mount Included

UL Listed for Wet Locations, IP66 Rated for Ambients from -40° F to 113° F

5 Year Limited Warranty



Technical Parameters

Power	Light Output	Power Input	Operating Temperature	Efficacy
15W - 45W	1,500 lm -5,400 lm	120-277V	-40°F - 113°F	Up to 120 lm/W
Color Temperature	CRI	Certifications	Beam Angle	Mounting Options
3000K, 4000K, 5000K	70 CRI	UL, DLC Premium	7Hx7V	Knuckle, Trunnion, Wall
Finish				
DB, B, W				

Performance Data

5000K		
LED Watts	Lumens	LPW
15W	1,500 lm	100 lm/W
30W	3,000 lm	100 lm/W
45W	5,400 lm	120 lm/W

4000K		
LED Watts	Lumens	LPW
15W	1,500 lm	100 lm/W
30W	3,000 lm	100 lm/W
45W	5,400 lm	120 lm/W

Ordering Information *Example: FLM-30W-50K-KN*

(Optional)

Model	Wattage	Voltage	CCT	Finish	Mounting
FLM Flood Light FLM Mini Series	15W 30W 45W	Blank 120-277V	50K 5000K 40K 4000K 30K 3000K	Blank Dark Bronze W White B Black	KN Knuckle TR Trunion W Wall Mount

Mounting

1/2" Knuckle Mount

Die-cast aluminum knuckle provides flexibility in mounting from a variety of areas.



Trunion Mount

Die-cast aluminum trunion is easily adapted to many surfaces and allows easy fixture aiming angles.



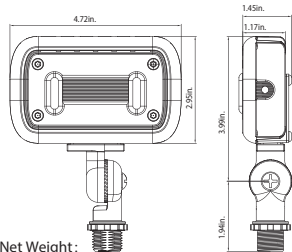
Wall Mount (30W & 45W)

Wall Mount is easy to install for direct wall mounting with 1/2" conduit wiring or standard J-box mounting.



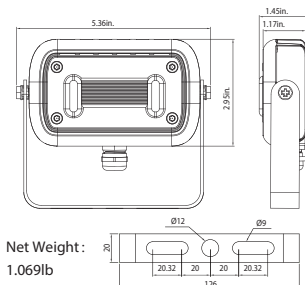
Dimensions

15W (Knuckle Mount)



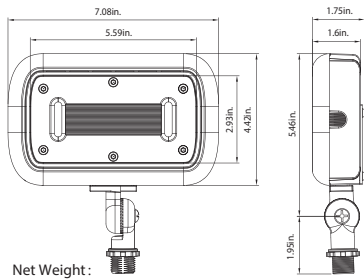
Net Weight:
0.939lb

15W (Trunion Mount)



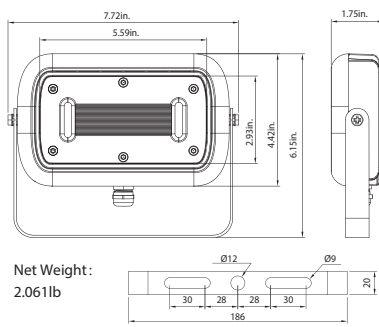
Net Weight:
1.069lb

30W (Knuckle Mount)



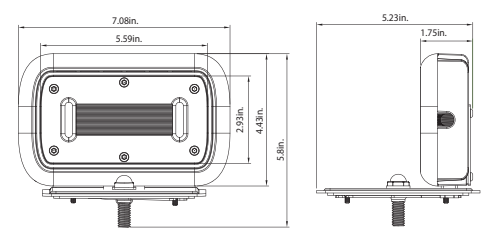
Net Weight:
1.887lb

30W (Trunion Mount)



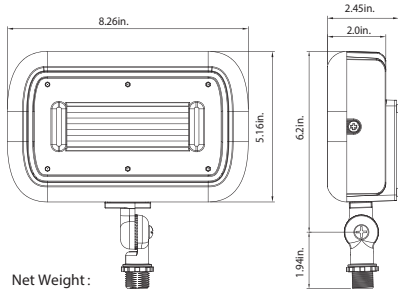
Net Weight:
2.061lb

30W (Wall Mount)



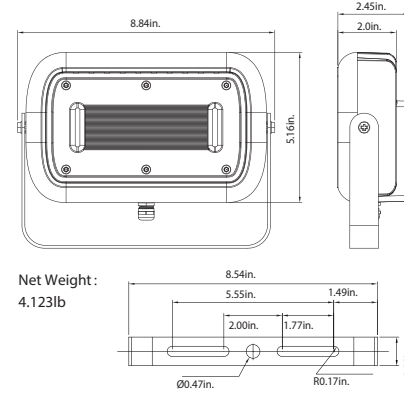
Net Weight:
2.911lb

45W (Knuckle Mount)



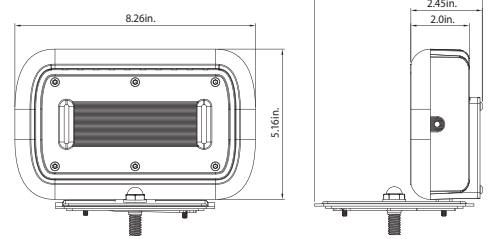
Net Weight:
3.893lb

45W (Trunion Mount)



Net Weight:
4.123lb

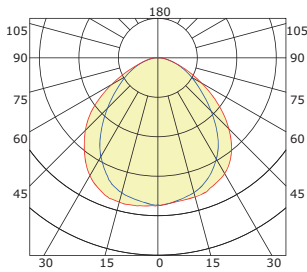
45W (Wall Mount)



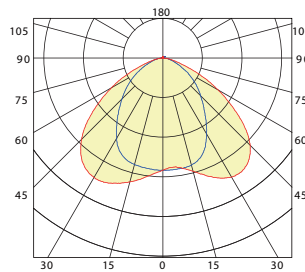
Net Weight:
4.519lb

Photometrics

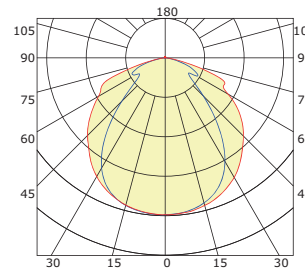
15W



30W



45W



DLC Listed Models

System Watt	Voltage	CCT	DIST. TYPE	DLC NO	DLC Classification
45W	120-277V	3000K		FLM-45W-30K-[Blank,W]-[KN,TR]	Standard
45W	120-277V	5000K		FLM-45W-50K-[Blank,W]-[KN,TR]	Standard

Note: Only Above Models are Currently DLC Listed