

Features & Benefits

Heavy-Duty Cast Aluminum Housing

Optics Conform to Dark Sky Requirements

Available in Type 2, Type 3, and Type 4 Light Distributions

Built-In 3pin Photocell

UL for Wet Location, IP66 Rated

Estimated 100,000-hour LED lifespan based on IES LM-80 and TM-21 Calculations

5-year limited warranty



Technical Parameters

Power	Light Output	Input	Operating Temperature	Efficacy
45W - 150W	6,300 - 20,000 lm	120-277V, 347/480V	-40°F to 113°F	Up to 124 lm/W
Color Temperature	CRI	Certifications	Photocell	Driver
3000K, 4000K, 5000K	70 CRI	UL/DLC Premium	Twist Lock	1-10V Dimming
Surge Protection	Light Distribution	Finish		
10K	Types 2, 3, 4	DB, W, B, SG		

Performance Data

5000K				
LED Watts	Dist. Type	Lumens	LPW	
45W	3	5,600 lm	124 lm/W	
70W	3	8,700 lm	124 lm/W	
100W	3	12,300 lm	123 lm/W	
150W	3	18,300 lm	122 lm/W	

4000K				
LED Watts	Dist. Type	Lumens	LPW	
45W	3	5,400 lm	120 lm/W	
70W	3	8,400 lm	120 lm/W	
100W	3	12,000 lm	120 lm/W	
150W	3	18,000 lm	120 lm/W	

Ordering Information *Example: ARL-100W-40K-T3*

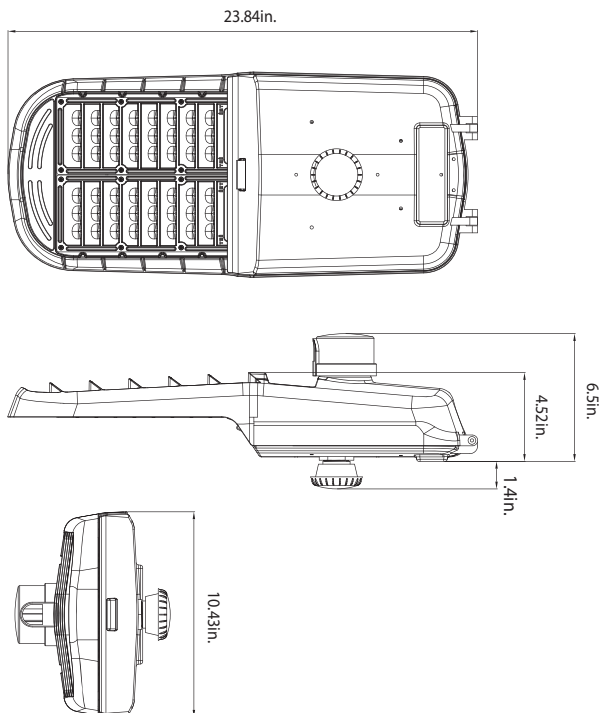
(Optional)

Model	Wattage	Voltage	CCT	Finish	Distribution	Controls
ARL Roadway ARL Series	45W 70W 100W 150W	Blank 120-277V HV 347/480V	40K 4000K 50K 5000K	Blank Silver Gray D Dark Bronze W White	T2 Type 2 T3 Type 3 T4 Type 4	M Motion Sensor

Note:

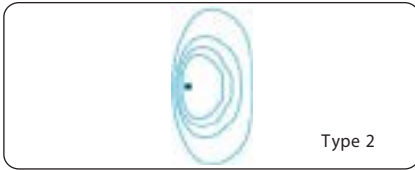
1. Photocell and Surge Protection Pre-Installed
2. 4000K Main Stock; 5000K Made to Order

Product Dimensions

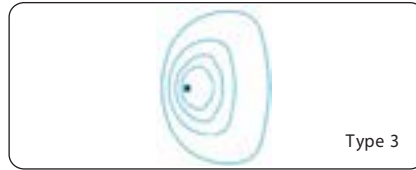


Photometrics

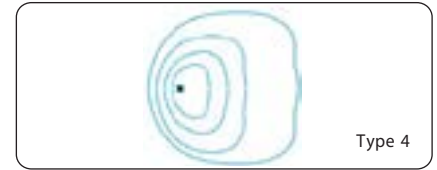
Type 2 optics creates an asymmetric distribution working well in walkway and roadway applications where more light is required "street side" than "house side".



Type 3 optics produces an asymmetrical pattern that directs the majority of the light forward and equally on both sides of the luminaire. In a back-to-back configuration, it creates a rectangular pattern which can extend pole spacings.



Type 4 is suitable for applications where light is primarily required to forward with minimal backlight. Typical installations include perimeter poles.



DLC Listed Models

System Watt	Voltage	CCT	DIST. TYPE	DLC NO	DLC Classification
110W	347/480V	4000K	3	ARL-110W-HV-40K-[Blank,D,B,W]-T3-[Blank,M]	Premium
150W	120-277V	5000K	3	ARL-150W-50K-[Blank,DB]-T3-[Blank,P,M, PM]	Premium

Note: Only Above Models are Currently DLC Listed