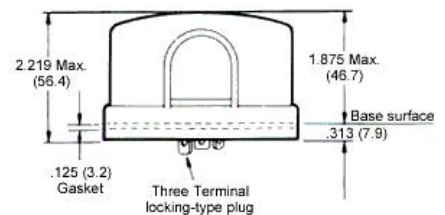


# PHOTOCONTROLLER

## JL-203C Series



- *ANSI C136.10-2010 Twist Lock*
- *Thermal Switch – All Loading Capable*
- *Time Delay Featured*
- *Multi-Volts Operation*
- *IR Filtered Photodiode Sensor*
- *Fail-On Mode*
- *IP65 Version Available*



IP54



IP65

## Product Summary

The photocontroller JL-203C series is applicable to control the street lighting, garden lighting, passage lighting and doorway lighting automatically in accordance with the ambient natural lighting level.

This product is designed with electronic circuit assisted thermal switch, with sensor of IR filtered photodiode and a surge arrester (MOV) is available. Its multi-volts feature expands the application of thermal switch which is powerful to carry high wattage lamp loadings, regardless the loading in incandescent, ballasted or e-ballasted.

Besides, its time-delay feature might avoid mis-operation due to spotlight or lightning during the night time.

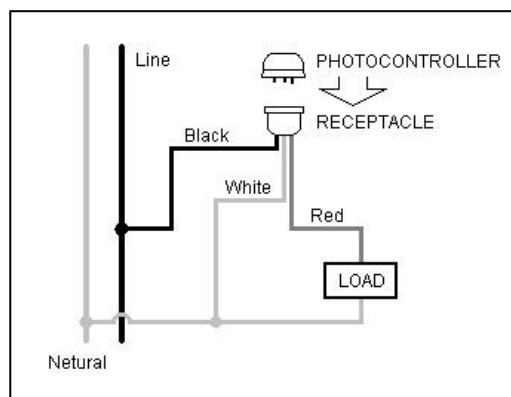
This product provides twist lock terminals meeting the requirements of ANSI C136.10-2010 and the Standard for Plug-In, Locking Type Photocontrols for Use with Area Lighting UL773.

## Technical Data

Model	JL-203C
Rated Voltage	120-277VAC
Applicable Voltage Range	105-305VAC
Rated Frequency	50/60Hz
Rated Loading	1000W Tungsten, 1800VA Ballast
Power Consumption	1.0VA
Turn-On Level / Time-Delay	10Lx / 15~120s
Turn-Off Level / Time-Delay	60Lx / 2~15s
Ambient Temp.	-40℃ ~ +70℃
Related Humidity	99%
Overall Size	84 (Dia.) x 66mm
Weight Approx.	83g (IP54) / 88g (IP65)

## Installation

Disconnect power; wire the receptacle according to the diagram in right hand. Push the photocontroller on and twist it clockwise to lock it into the receptacle. **Install the photocontroller with the Photocell facing the NORTH direction as indicated on the top of the photocontroller.** Adjust the receptacle position if necessary.



## Ordering Information

**JL-203C \*\*12 \*\*\*-IP65**

\*: **Model Number;**

\*\*: **MOV diameter in mm:**

12 = 110Joule / 3500Amp

15 = 235Joule / 5000Amp

23 = 546Joule / 13000Amp

\*\*\*: **IP65 Protection (optional)**