

Features & Benefits

Sealed Die-Casting Profile for Outdoor Applications

Estimated 50,000 Hour Life Span

Ambients from -40°F to 104°F

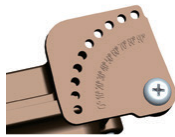
Pre-Installed Photocell Button Available

5-Year Limited Warranty



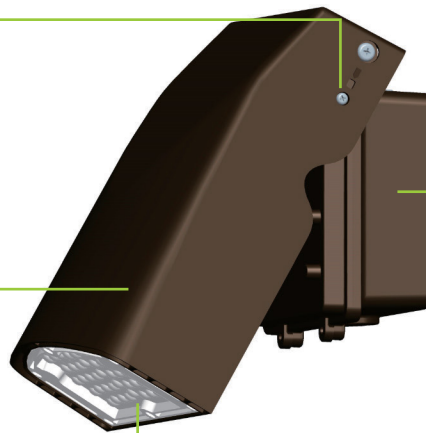
Mounting

0° to +90° tilt adjustments, to meet the needs of customers with different lighting angles.



Housing

Suitable for both indoor and outdoor application, also suitable for J-BOX mounting and surface mounting.



Photocell

Optional photocell allows for security and energy saving.

Lens

Polycarbonate optical lens with UV stabilizers do not exhibit yellowing and deformation.

Technical Parameters

Power	Light Output	Power Input	Operating Temperature	Efficacy
27W - 80W	3,500 lm - 10,500 lm	120-277V	-40°F - 115°F	133 lm/W

Color Temperature	CRI	Certifications	Photocell	Driver
4000K/5000K	70	UL	Twist Lock	0-10V Dimming

Finish				
DB, B, W				

Performance Data

5000K		
LED Watts	Lumens	LPW
27W	3,600 lm	133 lm/W
40W	5,200 lm	130 lm/W
67W	8,900 lm	133 lm/W
80W	10,500 lm	131 lm/W

4000K		
LED Watts	Lumens	LPW
27W	3,500 lm	130 lm/W
40W	5,100 lm	128 lm/W
67W	8,800 lm	131 lm/W
80W	10,000 lm	125 lm/W

Ordering Information *Example: WPA-40W-50K*

(Optional)

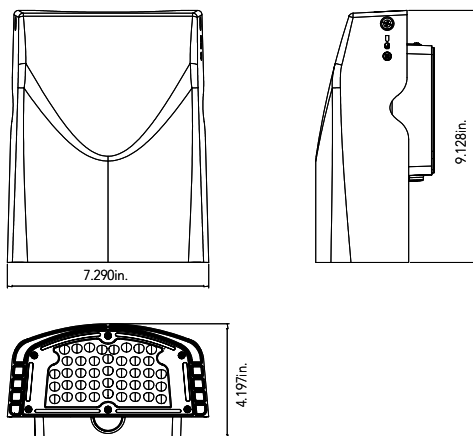
Model	Wattage	Voltage	CCT	Finish	Dimmable	Photocell
WPA Wall Pack WPA Series	27W 40W 67W 80W	Blank 120-277V	40K 4000K 50K 5000K	Blank Dark Bronze B Black W White	Blank Non Dimmable D 0-10V Dimmable	P Photocell

Note:

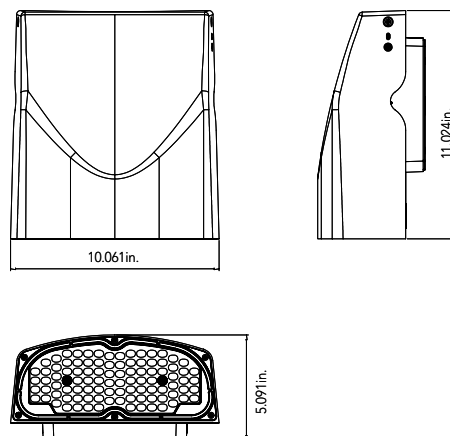
- 40W, 67W, 80W Available with Dimmable Driver

Product Dimensions

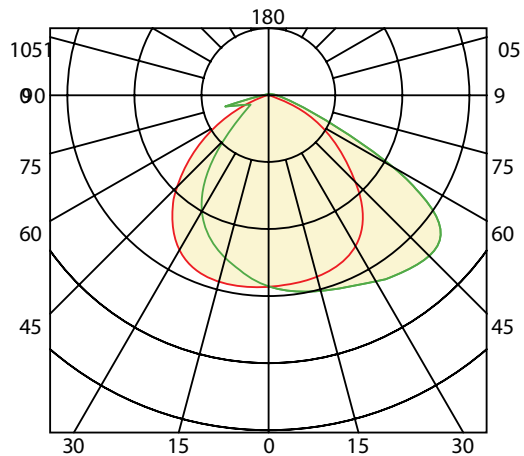
Small Size: 27W / 40W



Medium Size: 65W



Photometrics



Accessories

Photocell

No. PC-JL-120-277V

USE: Photocell is field installed or pre-installed in factory
by requesting

