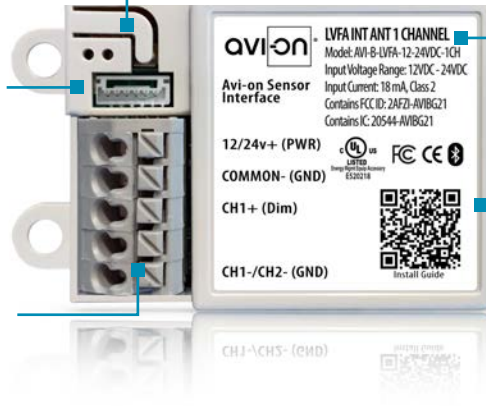


Low Voltage Fixture Adapters

Fixture-integrated adapter works with any dim-to-off 0-10V fixture

- Status LEDs & Config Button**
Quick and easy validation of wiring and network
- Direct Connect™ Sensor Port**
Simple and cost-effective addition to Avi-on sensors
- Terminal Blocks & Mounting Tabs**
Faster, easier and lower cost installation eliminating connectors



- UL 924 2022 Listed**
Designate any fixture as an emergency fixture after installation without changing hardware
- Internal and External Antenna Options**
Internal antenna offers improved performance and eliminates risk of accidentally cutting a hanging wire, while the outdoor IP rated antenna provides multi hundred foot range for outdoor applications

PRODUCT OVERVIEW

Description

The LVFA series fixture adapter mounts inside lighting fixtures providing addressability for each luminaire. All fixture adapters are part of the Avi-on® Bluetooth® with Mesh product ecosystem supported by the Avi-on mobile app, commissioning tools and cloud IoT Services.

Operation

The fixture adapter requires 12-24VDC. It must be powered either by a LED driver with AUX output or an external Avi-on power supply (Class II). Once powered up and added to the network, the fixture adapter dims lighting loads in response to the input from communicating devices.

Direct Connect™ Ready

Just plug any Avi-on Direct Connect Sensor into the sensor port for easy sensor integration. Sensor is powered directly from the LVFA.

Applications

This family of low voltage fixture adapters is ideal for controlling any lighting fixture that utilizes 0-10V dim-to-off drivers. Its compact size makes it easy to fit inside most indoor fixtures such as flat panels, troffers, retrofit kits, linear architectural fixtures, recessed and other luminaires for offices and schools applications.

The LVFA is an easy solution for almost any indoor commercial lighting project including offices, manufacturing, warehouses, schools, gymnasiums, common areas, UV-C lighting control, and outdoor area lights including floods, canopies in garage, open parking, site, and athletic facilities.

The LVFA is UL 924 listed, and when used in conjunction with the Avi-on Normal Power Beacon, any fixture can be designated as an emergency fixture in the field with no change in hardware (must be powered by emergency power).

ORDERING INFORMATION

Part Number	Description	Application	Input Voltage
AVI-LVFA-1CH-12-24VDC	Fixture adapter, single channel 0-10V, dim-to-off driver	Indoor	12 - 24 VDC
AVI-LVFA-2CH-12-24VDC	Fixture adapter, dual channel 0-10V, dim-to-off driver, tunable white	Indoor, CCT	12 - 24 VDC
AVI-LVFA-1CH-12-24VDC-OA	Fixture adapter, single channel 0-10V, dim-to-off driver, external antenna	Outdoor	12 - 24 VDC

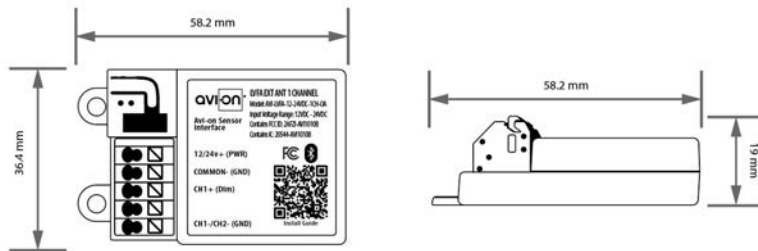
To order please contact Avi-on sales at **(877) AVION-US**, (877) 284-6687 or prosales@avi-on.com for information on becoming an Avi-on partner and order details.

Project	Location/ Type

SPECIFICATIONS

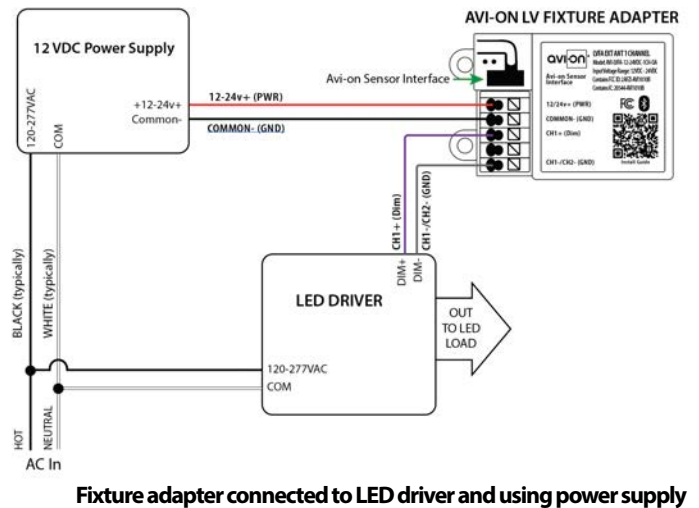
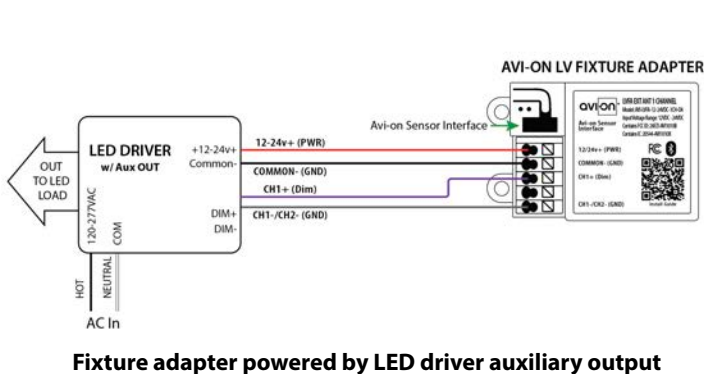
Input Voltage:	12-24VDC	Radio Frequency:	2.4GHz
Current:	15mA without a Sensor 19mA with a DC PIR Sensor 48mA with a DC Microwave Sensor	Wireless Standard:	BLE 4.2 with Mesh
0-10V Dimming:	5mA per Channel	Point to Point Range*:	80ft with obstructions and 350ft unobstructed
Size:	2.30in x 1.43in x 0.75in (58.2mm x 36.4mm x 19mm)	Security:	AES 128-bit encryption for device to device communication AES 256-bit encryption for device to cloud communication
Mounting:	Removable mounting tabs	Warranty:	5 years; 10 years optional
Weight:	0.45 oz (16g)	Regulatory:	FCC: 2AFZI-AV11010 B IC: 20544-AV11010 B BQB: D031801, DID: 86303 UL 916, 2043 (Plenum Rated) ALSO LISTED AS EMERGENCY LIGHTING EQUIPMENT (UL924)
Terminal Blocks:	22-16 AWG wires		
Operating Temperature:	-22F to +158F (-30C to +70C)		
Storage Temperature:	-40F to +185F (-40C to +85C)		

Dimensions:



*When communicating through the mesh, range is essentially unlimited (5000ft+)

WIRING DIAGRAMS



ALL PRODUCT, PRODUCT SPECIFICATIONS AND DATA ARE SUBJECT TO CHANGE WITHOUT NOTICE TO IMPROVE RELIABILITY, FUNCTION OR DESIGN OR OTHERWISE. The information contained herein is believed to be reliable. Avi-on makes no warranty, representation or guarantee regarding the information contained herein, the suitability of the products for any particular purpose, or the continuing production of any product. Avi-on assumes no responsibility or liability whatsoever for the use of the information contained herein. The information contained herein, or any use of such information does not grant, explicitly or implicitly, to any party any patent rights, licenses, or any other intellectual property rights, whether with regard to such information itself or anything described by such information.

