

Features & Benefits

Sealed Die-Casting Profile for Outdoor Applications

Optics Precisely Designed to Shape the Distribution, Maximizing Efficiency and Application Spacing

Low Profile, 3G Vibration Rated Compact Design Minimizes Wind Load Requirements

Housing is Completely Sealed Againsts Moisture and

Environmental Contaminants (IP66)

Estimated 100,000-Hour LED Lifespan Based on IES LM-80

Results and TM-21 Calculations

5 Year Limited Warranty



Technical Parameters

Power	Light Output	Input	Operating Temperature	Efficacy
360W - 510W	51,000 lm - 68,000 lm	120-277V, 347/480V	-40°F - 131°F	Up to 146 lm/W

Color Temperature	CRI	Certifications	Driver	Light Distribution
4000K, 5000K, 5700K	70 CRI	UL	1-10V Dimming	NEMA 4Hx4V

Finish				
Black				

Performance Data

4000K				
LED Watts	Voltage	EPA	Lumens	LPW
360W	120-277V/ 347-480V	0.9497	51,000 lm	146 lm/W
510W	120-277V/ 347-480V	0.9497	68,000 lm	135 lm/W

5000K				
LED Watts	Voltage	EPA	Lumens	LPW
360W	120-277V/ 347-480V	0.9497	51,000 lm	146 lm/W
510W	120-277V/ 347-480V	0.9497	68,000 lm	135 lm/W

5700K				
LED Watts	Voltage	EPA	Lumens	LPW
360W	120-277V/ 347-480V	0.9497	48,500 lm	146 lm/W
510W	120-277V/ 347-480V	0.9497	65,000 lm	135 lm/W

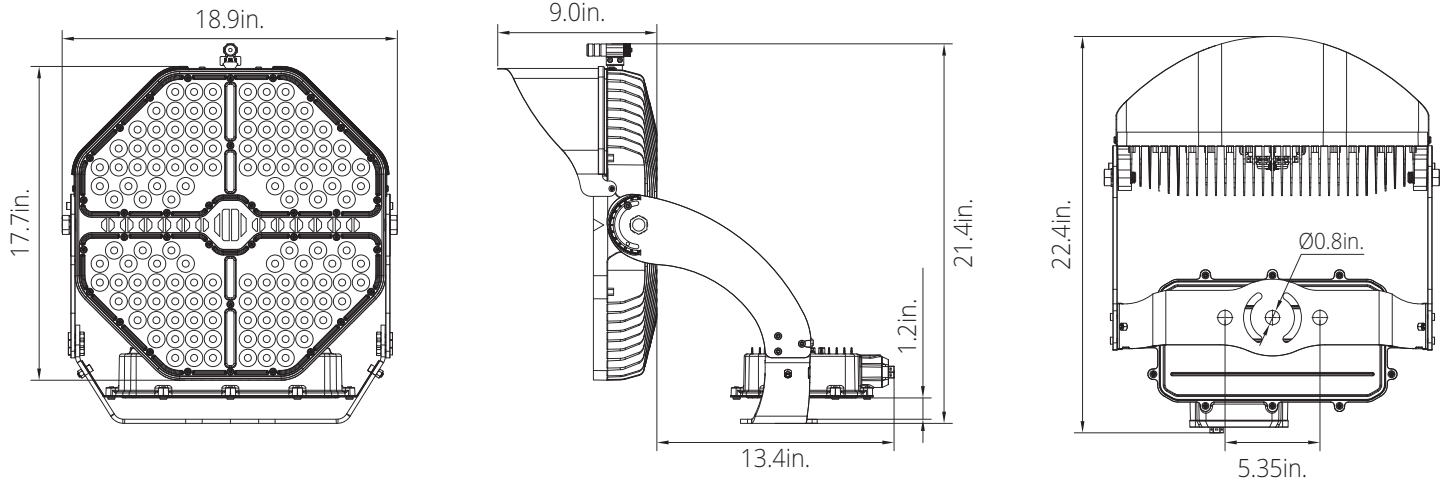
Ordering Information

Example: SPL02-510W-50K-B44-TR

(Optional)

Model	Wattage	Voltage	CCT	Finish	Optics	Mounting
SPL Sports Light SPL02 Series	360W 510W	Blank 120-277V HV 347/480V HV2 277/480V	40K 4000K 50K 5000K 57K 5700K	Blank Black	B44 4Hx4V	TR Trunion

Product Dimensions



Accessories

			 <p>DIM10-087-06</p>
<p>Black Top Visor (Default)</p>	<p>White Top Visor (Option)</p>	<p>Aiming Sight</p>	<p>Integrated Control (Option)</p>