

Features & Benefits

One-Piece Die-Cast Aluminum Housing

Equipped with External Quick-Mounting Plate, Suitable for J-Box Mount, and Compatible with 3/4" Pendant Mount

Anti-UV Prismatic Translucent Lens Designed to Shape Light Distribution and Uniformity

Operating Temperature Range -40°F to 104°F

CCT and Power Adjustable

PIR Sensor and Emergency Battery Available

5-Year Limited Warranty

UL Listed for Wet Locations



Technical Parameters

Power	Light Output	Power Input	Operating Temperature	Efficacy
25W - 60W	3,700 lm - 8,400 lm	120-277V, 347/480V	-40°F- 104°F	Up to 140 lm/W
CRI	Certifications	Motion Sensor	Driver	Color Temperature
70 CRI	UL, DLC Premium	Bi-Level PIR Sensor	1-10V Dimming	3000K, 4000K, 5000K
Finish				
W, DB, B				

Performance Data

3000K (70CRI)		
LED Watts	Lumens	LPW
60W	7,800 lm	130 lm/W

4000K (70CRI)		
LED Watts	Lumens	LPW
60W	8,400 lm	140 lm/W

5000K (70CRI)		
LED Watts	Lumens	LPW
60W	8,000 lm	133 lm/W

Adjustable Lumen Output

3000K			
Setting	LED Watts	Lumes	LPW
100%	60	7,800 lm	130 lm/W
80%	48	6,500 lm	135 lm/W
60%	36	5,200 lm	144 lm/W
40%	25	3,700 lm	148 lm/W

4000K			
Setting	LED Watts	Lumes	LPW
100%	60	8,400 lm	140 lm/W
80%	48	7,000 lm	146 lm/W
60%	36	5,600 lm	156 lm/W
40%	25	4,000 lm	160 lm/W

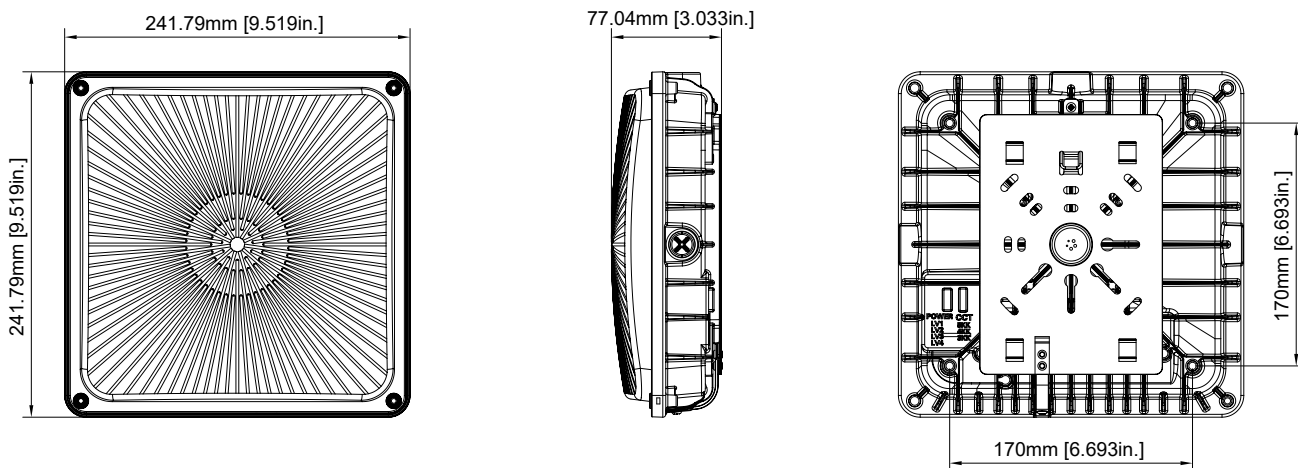
5000K			
Setting	LED Watts	Lumes	LPW
100%	60	8,000 lm	133 lm/W
80%	48	6,600 lm	138 lm/W
60%	36	5,300 lm	147 lm/W
40%	25	3,800 lm	152 lm/W

Ordering Information *Example: CPGT-60W-50K*

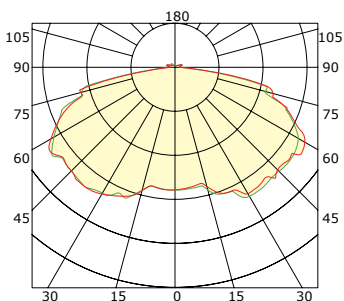
(Optional)

Model	Wattage	Voltage	CCT	Finish	Controls
CPGT Canopy CPGT Series	25W 36W 48W 60W	Blank 120-277V	XXK 3000K, 4000K, 5000K 40K 4000K 50K 5000K	Blank Dark Bronze B Black W White	M Motion Sensor EM Emergency Battery P Photocell

Product Dimensions



Photometrics



Accessories



Emergency Battery Backup
Description: 5W 800lm 90min



PIR Sensor , 120-277V
Description: External sensor can be pre-installed in factory or field installed.



Microwave Sensor , 12V
Description: Sensor can be built-in fixture.